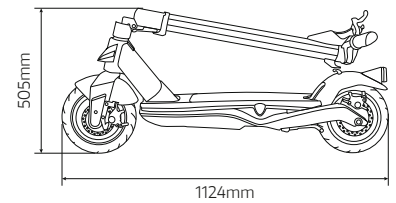
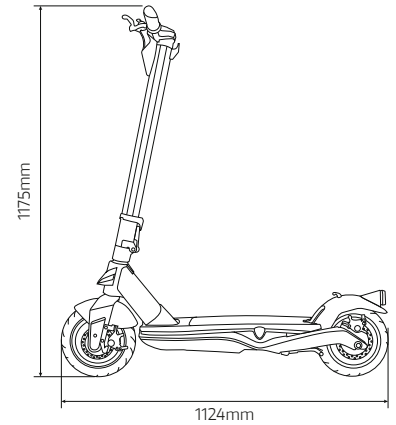




Urban
e-Mobility

PRO-III
electric scooter



Download the app Ducati Urban e-Mobility for a better use of the product



10" tubeless tyres



Wide 3.2" LED display with USB port



Front and rear disc brake with KERS

Technical specifications

Product Sku: **MN-DUC-PRO3**
Ean Code: **8052870481412**

Basic info	
Frame material	magnesium alloy
Speed	L1: 6km/h L2: 15km/h L3: 20km/h L4: 25km/h (max speed)*
Maximum gradient	20%
Brakes	front and rear disc brake, KERS
Motor power	350W, Peak Power 515W
Tyres	10" tubeless tyres
Low voltage protection	32V
Current limit	18A
Motor type	brushless
Max load	100kg
Riding requirements	Consult the laws and regulations currently in force in your country.
Working Temperature	0°C / 45°C
Level of protection	IPX4
Charging time	about 9 hours
Range	up to 50km (subject to be variable by rider weight, road condition, temperature etc.)

*Maximum allowed speeds vary according to local regulations. When riding, always follow the relevant traffic code.

Electric system	
Motor	350W Brushless, Peak Power 515W
Display	3.2" LED display with USB port
Battery	36V, 13.0Ah, 468Wh
Lights	front and rear LED lights
Charger	EU Standard DC 2.1, 42V 1.5A
Bluetooth	connection through user app
NFC	contactless key

Dimensions and Weights	
Net weight	17.5Kg
Gross weight	20.5Kg
Unit size	1124 x 480 x 1175mm
Folding size	1124 x 480 x 505mm
Carton size	1175 x 200 x 525mm

Ducati Motor Holding S.p.A. Official Licensed Product.